



Jesus wanted people to know more about God. What did He say in His prayer?

Follow the arrows and write the words below.

|        |       |        |      |        |       |          |
|--------|-------|--------|------|--------|-------|----------|
|        | KNOWN | TO     | THEM | ORDER  | WILL  | CONTINUE |
|        | GO    | YOU    | THAT | AND    | IN    | TO       |
|        | HAVE  | MADE   | THE  | LOVE   | KNOWN | MAKE     |
| NUMBER | I     | FISH   | AND  | YOU    | HAVE  | YOU      |
|        | NET   | THAT   | THEM | IN     | FOR   | ME       |
|        | I     | MYSELF | MAY  | SPIRIT | BE    | MAY      |
|        | ALL   | HEART  | BE   | IN     | THEM  | HEAR     |
|        |       |        |      |        |       |          |

“ I \_\_\_\_\_  
 \_\_\_\_\_  
 \_\_\_\_\_  
 \_\_\_\_\_  
 \_\_\_\_\_  
 \_\_\_\_\_  
 \_\_\_\_\_  
 \_\_\_\_\_  
 \_\_\_\_\_”

Ages 7+

June 2, 2019 • John 17:20-26

# Jesus Prays for All Believers

Jesus was praying for His disciples. He said, “I pray for these men. But I am also praying for ...”

|   |         |            |               |
|---|---------|------------|---------------|
| Write the words on the numbered blanks. |         |            |               |
| 1 = <del>all</del>                      | 4 = Me  | 7 = people | 10 = teaching |
| 2 = believe                             | 5 = men | 8 = pray   | 11 = world    |
| 3 = Father                              | 6 = one | 9 = sent   | 12 = You      |

... all 7 who will 2 in 4  
 because of the 10 of these 5 3,  
 I 8 that all 1 7 who  
2 in 4 can be 6  
 ... so that the 11 will  
2 that 12  
9 4.”



Saint Maria Goretti Catholic Church

5313 Flad Avenue Madison, WI 53711

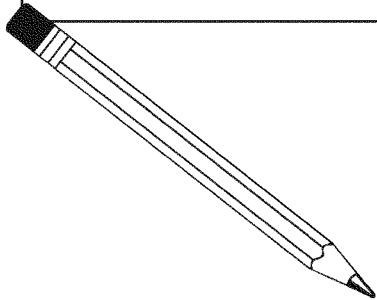
Find and circle the underlined words in the puzzle below.  
Some will be found more than one time. They are → ↓ ↘ ← ↑.

Jesus prayed:

"I have given them the glory  
that You gave Me, that they  
may be one as We are one —  
I in them and You in Me."



|   |   |   |   |   |   |   |   |   |   |
|---|---|---|---|---|---|---|---|---|---|
| H | T | H | E | M | G | L | O | R | Y |
| A | Y | A | S | M | E | I | N | I | E |
| V | W | O | T | G | I | V | E | N | H |
| E | E | E | U | H | T | H | E | G | T |
| Y | T | A | H | T | E | T | H | A | T |
| O | N | E | Y | A | M | M | M | V | B |
| U | A | R | E | O | D | N | A | E | E |



Write the letter that's missing from the second word of each pair to find two important words from today's verses.

① \_\_\_\_\_

in ounce not in cone ...

in near not in are ...

in time not in met ...

in float not in loaf ...

in pansy not in span ...

② \_\_\_\_\_

in singer not in rinse ...

in table not in beat ...

in hoarse not in share ...

in pester not in steep ...

in daisy not in said ...